

# B161/B164 Earthpoint, Four Stud, Copper, 10.7 mm dia, M12 Thread

## CATALOG NUMBER

**B16412A**



## FEATURES

Long-lasting design

Low ground resistance and impedance

Superior electrical conductivity and resistance to corrosion

Electrically and mechanically robust and reliable

Easy to install as a Prefabricated Earthbridge once nVent ERICO Cadweld welded to a piece of conductor

## PRODUCT ATTRIBUTES

Article Number: 166060

Material: Copper

Width 1 (W1): 44.5 mm

Width 2 (W2): 85 mm

Depth 1 (D1): 44.5mm

Depth 2 (D2): 85mm

Height (H): 70 mm

Diameter (Ø): 10.7 mm

Thread Size (TS): M12

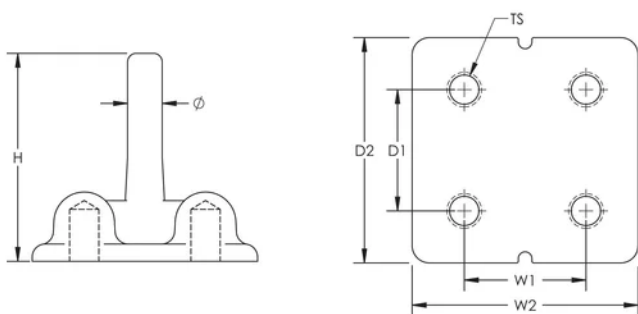
## ADDITIONAL PRODUCT DETAILS

---

Assemblies require conductors and nVent ERICO Cadweld connections, which must be ordered separately.

## DIAGRAMS

---



## WARNING

---

nVent products shall be installed and used only as indicated in nVent's product instruction sheets and training materials. Instruction sheets are available at [www.nvent.com](http://www.nvent.com) and from your nVent customer service representative. Improper installation, misuse, misapplication or other failure to completely follow nVent's instructions and warnings may cause product malfunction, property damage, serious bodily injury and death and/or void your warranty.

### North America

+1.800.753.9221

Option 1 – Customer Care

Option 2 – Technical

Support

### Europe

Netherlands:

+31 800-0200135

France:

+33 800 901 793

### Europe

Germany:

800 1890272

Other Countries:

+31 13 5835404

### APAC

Shanghai:

+ 86 21 2412 1618/19

Sydney:

+61 2 9751 8500



Our powerful portfolio of brands:

**CADDY**

**ERICO**

**HOFFMAN**

**ILSCO**

**SCHROFF**

**TRACHTE**